

CONCEALED
HINGE





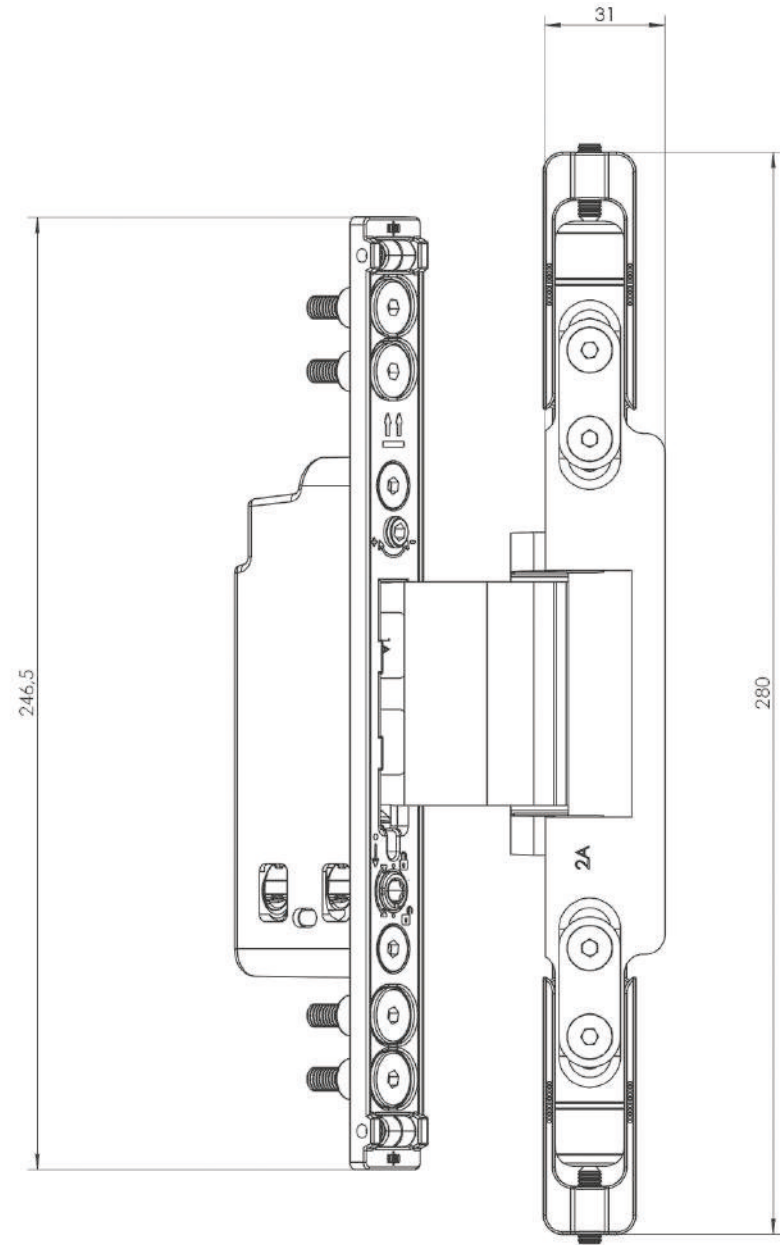
CONCEALED
HINGE
WU-1R



CONCEALED HINGES WU-1R



BLACK



3D control



easy & fast



120 kg max



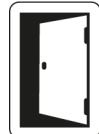
CE



CONCEALED HINGES WU-1R

FOR USE IN EMERGENCY EXIT DOORS

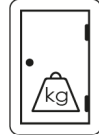
WU-1R HINGE CLASSIFICATION
EN 1935:2002 + EN 1935:2002/AC:2003



4/4 - SERVICE CLESSES



7/7 - DURABILITY



6/7 - WEIGHT OF TEST DOOR



0/1 - FIRE RESISTANCE



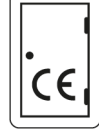
1/1 - SECURITY



4/4 - CORROSION RESISTANCE



1/1 - INTRUSION PROTECTION

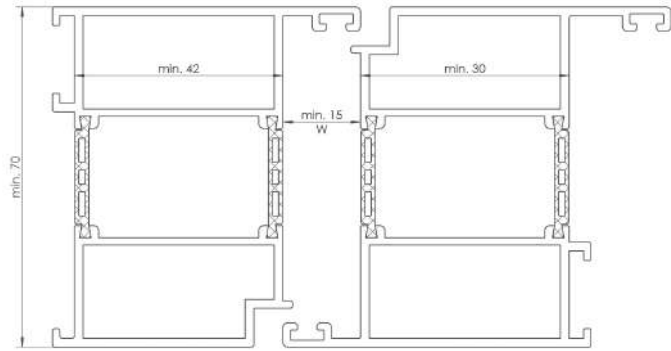


13/14 - HINGE CLASS

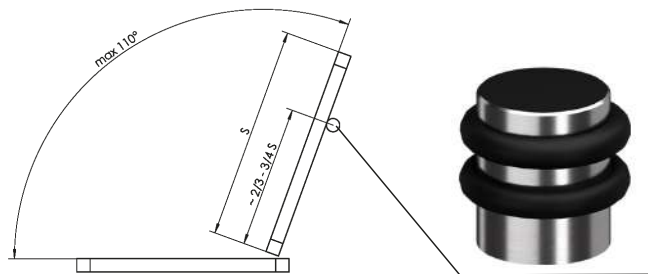


CONCEALED HINGES WU-1R

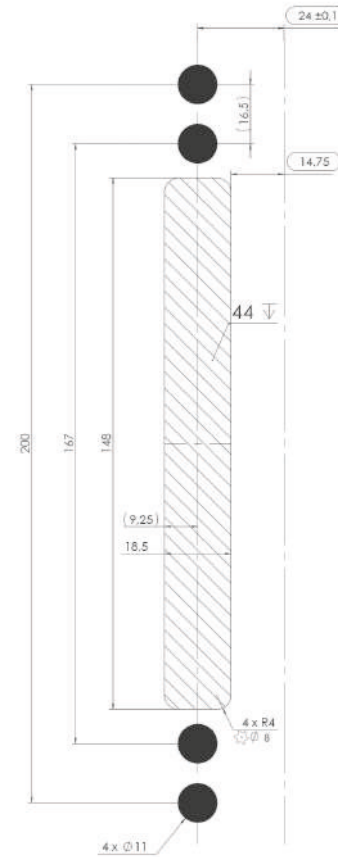
REQUIREMENTS



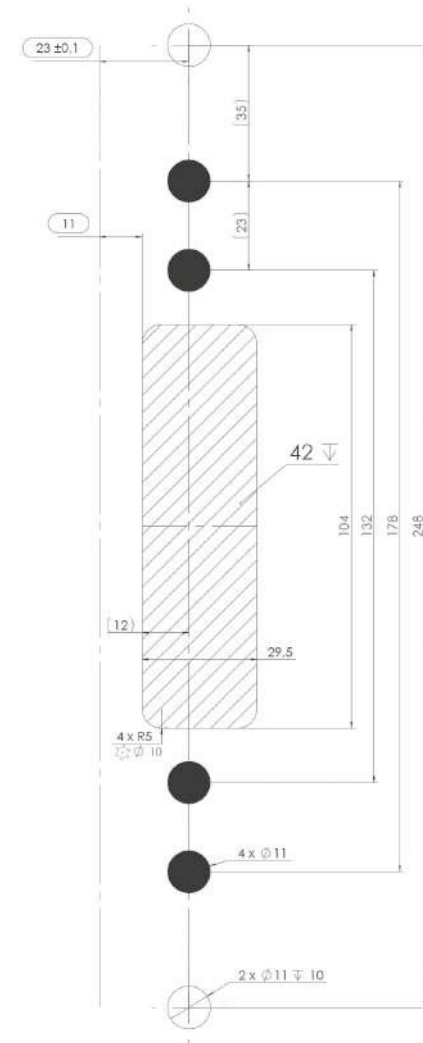
DOORSTOP MUST BE USED EG - WST



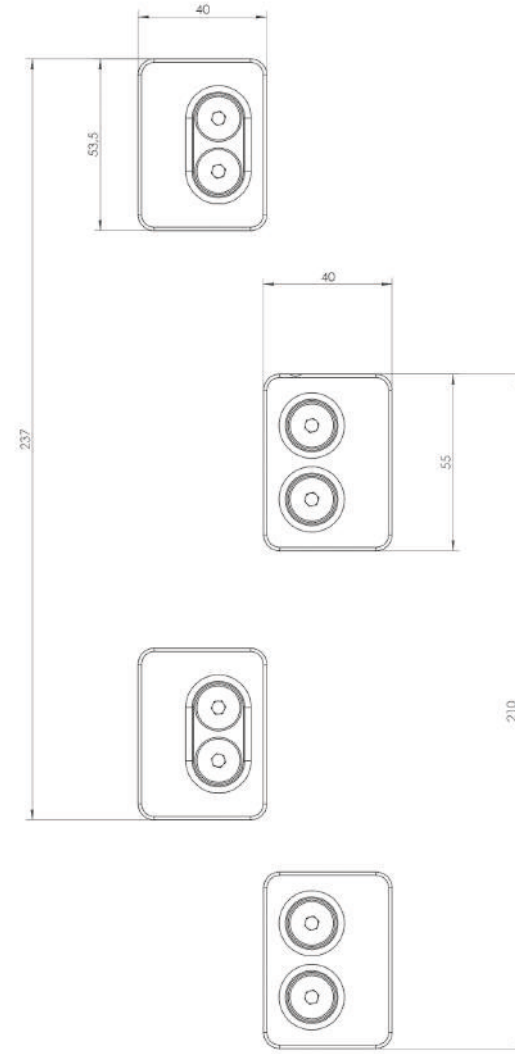
LASH PROFILE PROCESSING



FRAME PROFILE PROCESSING




CONCEALED HINGES WU-1R



LOAD SELECTION WU-1R

If the distance between hinges in the middle of a door exceeds 1500mm, we suggest using additional hinge which caulks the door.




Private building





Door closer





Public building

	W	S	700	800	900	1000	1100	1200	1300	1400				
 3x	2000						90	85	75	70				
	2100						95	90	85	75				
	2200						100	95	90	80				
	2300								95	90				
	2400								95	90				
	2500								95					
	2600							100	100	100	100			
	2700													
	2800													
	2900													
3000														

	W	S	700	800	900	1000	1100	1200	1300	1400				
 3x 4x	2000						120	115	105	100				
	2100						125	120	115	105				
	2200						130	125	120	110				
	2300								125	120				
	2400								125	120				
	2500								125					
	2600							130	130	130	130			
	2700													
	2800													
	2900													
3000														

	W	S	700	800	900	1000	1100	1200	1300	1400				
 2x	2000						101	97	93	89				
	2100						106	101	97	93				
	2200						110	106	101	97				
	2300								106	101				
	2400								106	101				
	2500								106					
	2600							110	110	110	110			
	2700													
	2800													
	2900													
3000														

	W	S	700	800	900	1000	1100	1200	1300	1400				
 2x	2000						71	67	63	59				
	2100						76	71	67	63				
	2200						80	76	71	67				
	2300								76	71				
	2400								76	71				
	2500								76					
	2600							80	80	80	80			
	do													
	3000													

	W	S	700	800	900	1000	1100	1200	1300	1400				
 4x	2000						150	145	135	130				
	2100						155	150	145	135				
	2200						160	155	150	140				
	2300								155	150				
	2400								155	150				
	2500								155					
	2600							160	160	160	160			
	do													
	3000													



LOAD SELECTION WU-1R (ALTERNATIVE MB45)



Private building



Door closer



Public building

 2x	W S	800	900	1000	1100	1200	1300	1400			
	2000	70				61	57	53	49		
2100	66					61	57	53			
2200	70								66	61	57
2300									66	61	
2400								66	61		
2500											
2600											
2700											
2800										70	70
2900											
3000											

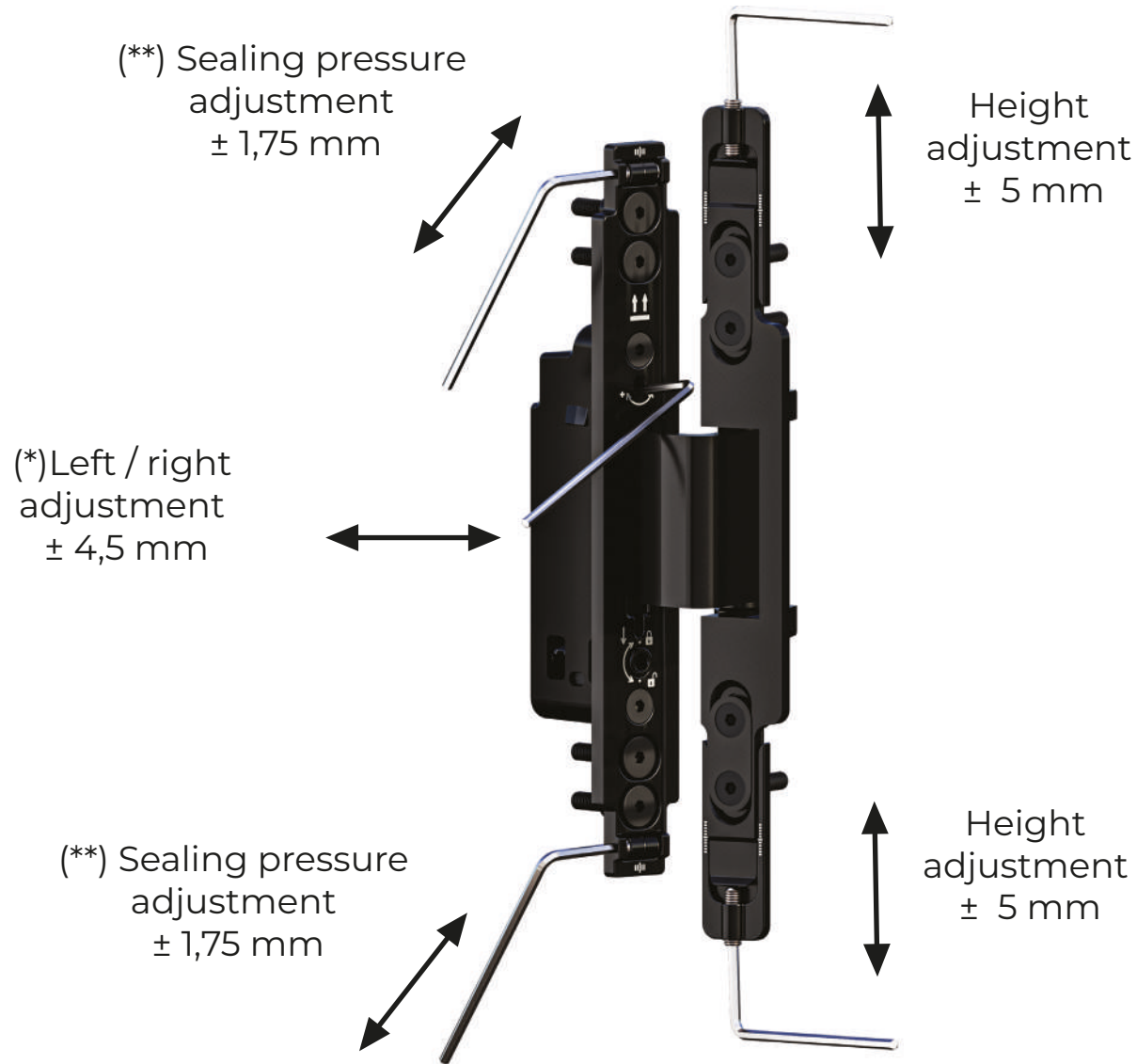
 2x	W S	800	900	1000	1100	1200	1300	1400			
	2000	90				81	77	73	69		
2100	86					81	77	73			
2200	90								86	81	77
2300									86	81	
2400								86	81		
2500											
2600											
2700											
2800										90	90
2900											
3000											

 3x	W S	800	900	1000	1100	1200	1300	1400			
	2000	80				70	65	55	50		
2100	75					70	65	55			
2200	80								75	70	60
2300									75	70	
2400								75	70		
2500										75	
2600											
2700											
2800										80	80
2900											
3000											

 3x	W S	800	900	1000	1100	1200	1300	1400			
	2000	110				100	95	85	80		
2100	105					100	95	85			
2200	110								105	100	90
2300									105	100	
2400								105	100		
2500										105	
2600											
2700											
2800										110	110
2900											
3000											



ADJUSTMENT FOR CONCEALED HINGES WU-1R

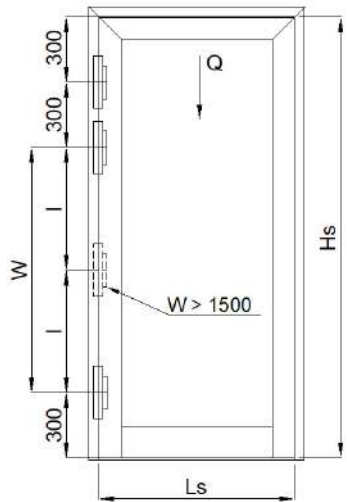
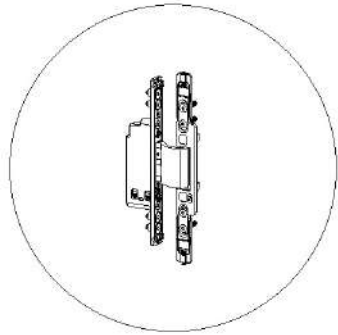


(*) – adjustment in the negative direction can be very limited depending on aluminium system

(**) – actual range can differ due to the gap value at the seal, depending on aluminium system



PATTERNS FOR DRILLING WU-1R



	LASH PROFILE	LASH PROFILE	FRAME PROFILE	FRAME PROFILE	DISTANCE
WU-1R					





WALA Sp. z o.o.
ul. Parkowa 16
43-365 Wilkowice

wala@wala.pl
tel. +48 33 82 72 390
kom. +48 725 70 80 30
www.wala.pl

